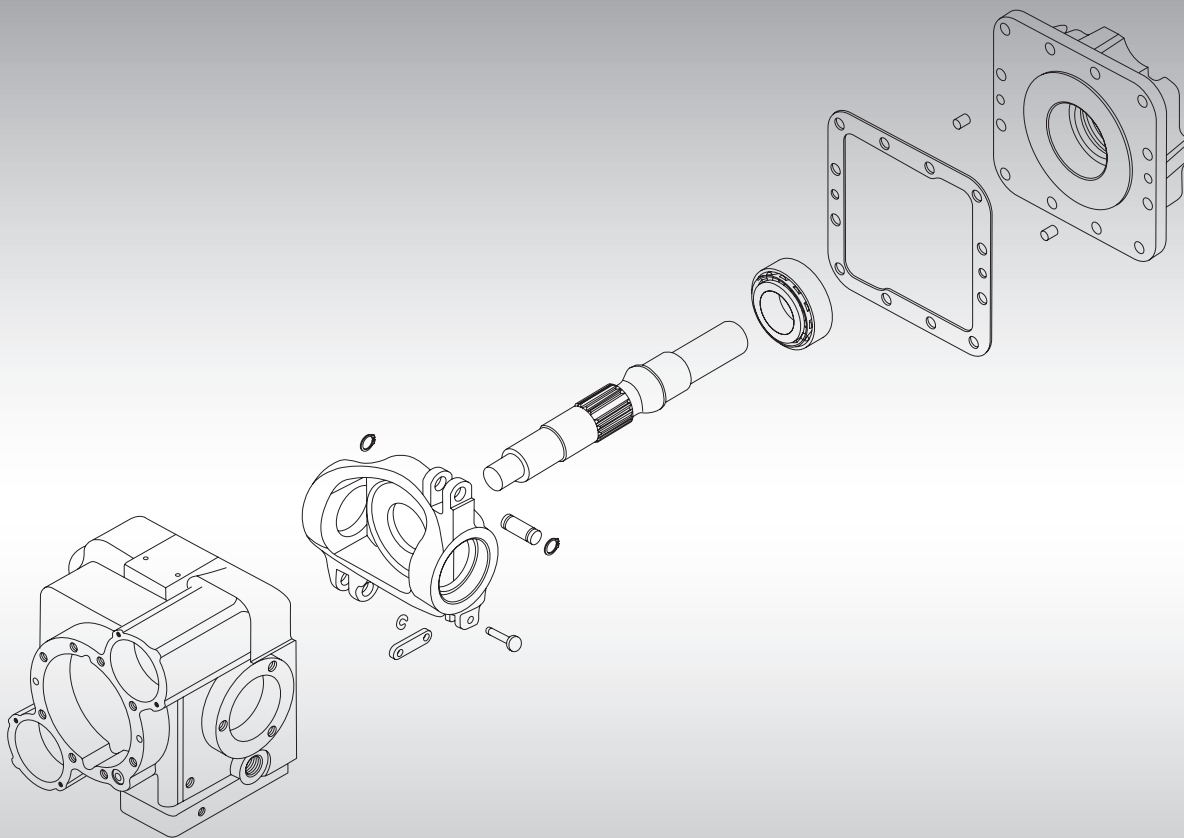




Quick Reference Parts Manual

# Variable Displacement Pump Series 20, 20-27 series





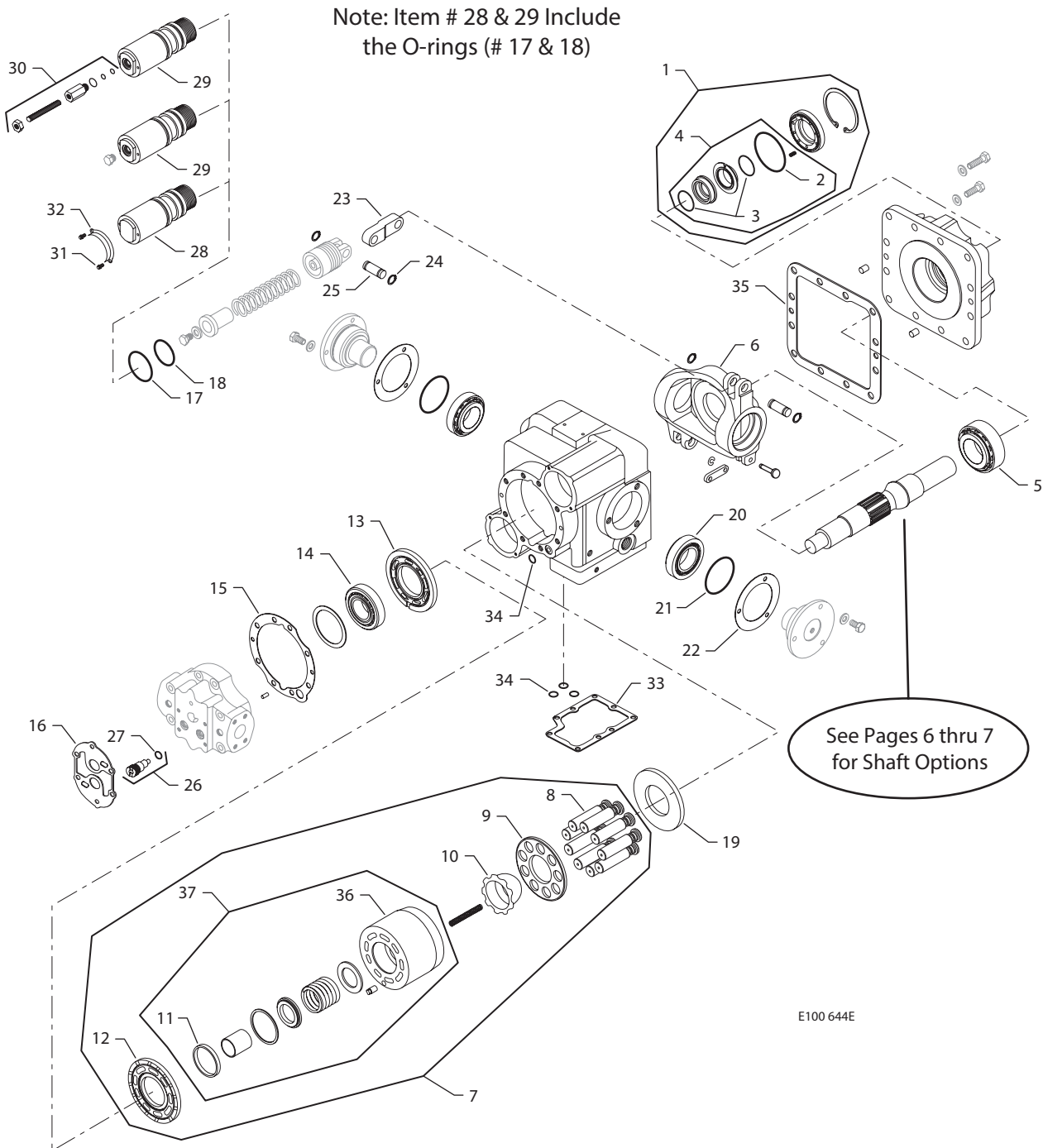


**Contents**

<b>Service parts</b>	Exploded view drawing (20 thru 23 series).....	4
	Service parts (20 thru 23 series).....	5
	Exploded view drawing (24 thru 27 series).....	6
	Service parts (24 thru 27 series).....	7
<b>Drive shafts</b>	SPV2/033 (20 series).....	8
	SPV2/052 (21 series).....	8
	SPV2/070 (22 series).....	8
	SPV2/089 (23 series).....	8
	SPV2/119 (24 series).....	9
	SPV2/166 (25 series).....	9
	SPV2/227 (26 series).....	9
	SPV2/334 (27 series).....	9



Exploded view drawing



E100 644E

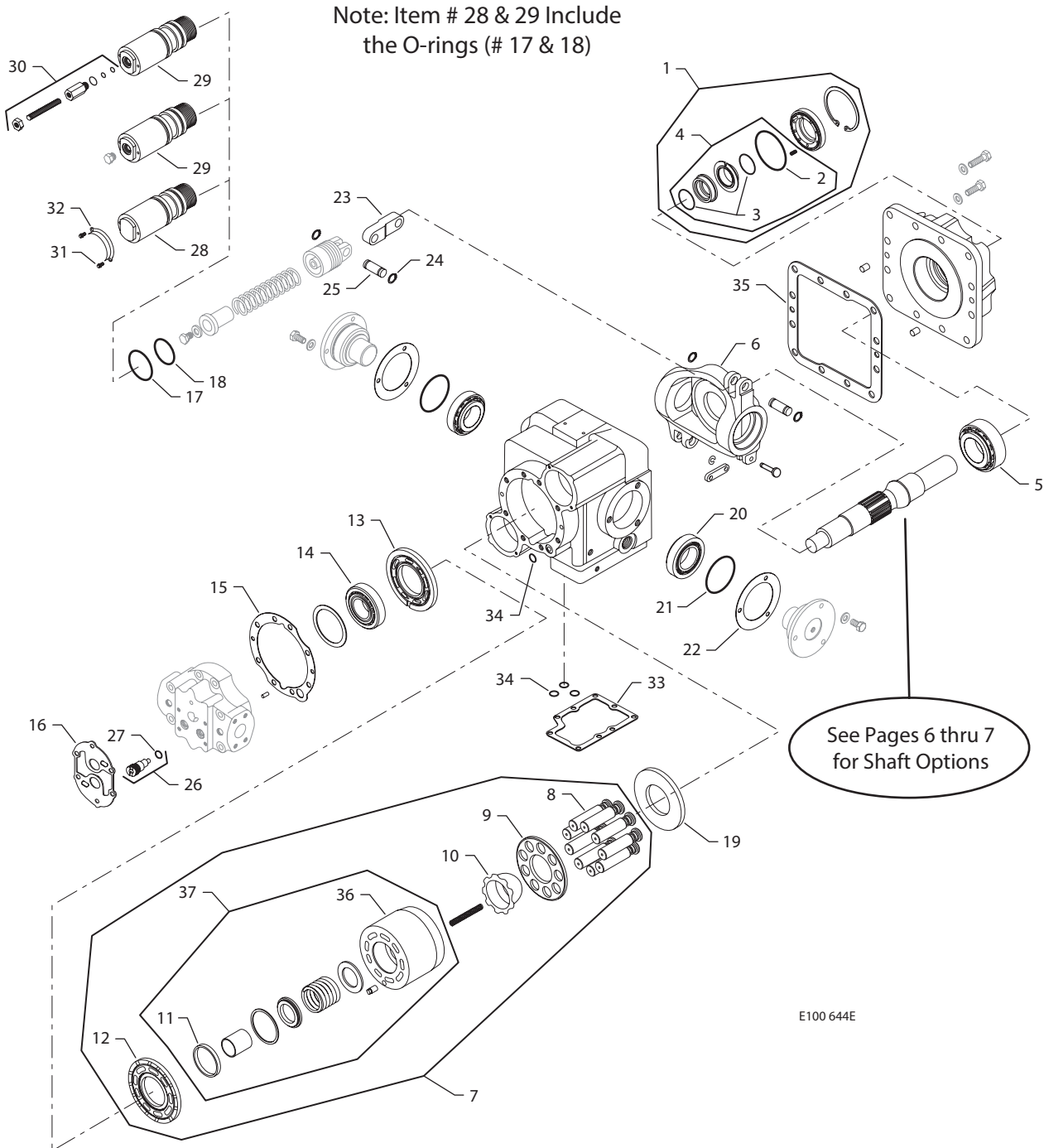

**Service parts**

Item #	Description	SPV2/033 (20)	SPV2/052 (21)	SPV2/070 (22)	SPV2/089 (23)
	Overhaul seal kit	9510224	9510227	9510230	9510233
1	Shaft seal kit	050088	050088	050088	050302
2	O-ring	056788 (9004104-2340)	056788 (9004104-2340)	056788 (9004104-2340)	071860 (9004104-2380)
3	O-ring	008821 (9004104-1290)	008821 (9004104-1290)	008821 (9004104-1290)	008979 (9004104-1360)
4	Seal kit	9510022	9510022	9510022	9510021
5	Front bearing kit	050575 (9510251)	050575 (9510251)	050625 (9510256)	050658 (9510259)
6	Swashplate, 18°	002725	9210279	9220570	9510761
7	Cylinder block kit	510149	593251	596890	9230973
8	Piston kit, set of 3	711291 (not a kit of 3)	9510408-0010	9510408-0001	9510408-0002
8	Remanufactured	711291	R9510408-0010	R9510408-0001	R9510408-0002
9	Slipper retainer	9200158	003210 (9210292)	003707 (9220628)	004176 (9230234)
10	Slipper ret. guide	J9200124	003160 (9210219)	9220500	9230158
11	Pilot ring	002709	010678	013862	004325
12	Bearing plate	002733	585885	585893	561670
13	Valve plate, cw	002881	003368	003889	004333
	Valve plate, ccw	002899	003376	003897	004341
14	Rear bearing kit	050567 (9510250)	050591 (9510253)	050617 (9510255)	050641 (9510258)
15	End cap gasket	9200088	9210204	9220425	9231081
16	Chg pump gasket, gear	9801235	9801235	9801235	9801235
	gerotor with IPOR	n/a	9803241*	9803241*	9803241*
	gerotor without IPOR	n/a	9803252*	9803252*	9803252*
17	O-ring	000869 (9004100-1390)	000869 (9004100-1390)	512007 (9004100-1430)	512007 (9004100-1430)
18	O-ring	000851 (9004100-1360)	000851 (9004100-1360)	512008 (9004100-1410)	512008 (9004100-1410)
19	Thrust plate	010520	003228 (9210293)	003699 (9220626)	004184
20	Trunnion bearing kit	050583 (9510252)	050609 (9510254)	050633 (9510257)	9510639
	prior to 88-01-xxxx				050666 (9510260)
21	O-ring	000927 (9004100-2260)	000935 (9004100-2280)	000943 (9004100-2300)	000950 (9004100-2320)
22	Trunnion shim kit	9510422-0001	9510422-0002	9510422-0003	9510422-0004
23	Servo piston link	589317	589317	589325	594671
	87-13 thru 97-23	n/a	9210620	9221367	9230787
24	Retaining ring	9006300-0050	9006300-0050	9006300-0062	9006300-0062
25	Pin	013904 (9004830-0001)	013904 (9004830-0001)	013680 (9004830-0002)	013680 (9004830-0002)
26	Check valve assembly	075366 (9800648)	075366 (9800648)	075366 (9800648)	075366 (9800648)
27	O-ring	056770 (9004101-0150)	056770 (9004101-0150)	056770 (9004101-0150)	056770 (9004101-0150)
28	Servo sleeve assembly	9200582	9200582	9510207	9510207
29	Servo sleeve assembly	9200583	9200583	9510350	9510350
30	Stroke limiter kit	9200515	9200515	9221078	9221078
31	Torx screw	9007276-0011	9007276-0011	9007276-0011	9007276-0011
32	Servo retainer	9200087	9200087	9220419	9220419
33	Control gasket	9803340	9803340	9803340	9803340
34	O-ring	001032 (9004101-0140)	001032 (9004101-0140)	001032 (9004101-0140)	001032 (9004101-0140)
35	Front cover gasket	9200076	9210201	9221528	9230124
36	Cylinder block	049155	049163	014878	014910
36	Remanufactured	n/a	R9210576	R9221102	R9230651
37	Cylinder block assy	n/a	n/a	11077853	520087/P

\* Indicated special charge pump gaskets (item # 16) are not included in the overhaul seal kit.



Exploded view drawing



E100 644E


**Service parts**

Item #	Description	SPV2/119 (24)	SPV2/166 (25)	SPV2/227 (26)	SPV2/334 (27)
	Overhaul seal kit	9510236	9510239	9510316	9510242
1	Shaft seal kit	050302	050302	058537	050534
2	O-ring	000984 (9004100-2380)	000984 (9004100-2380)	049718 (9004100-2420)	000992 (9004100-2430)
3	O-ring	008979 (9004104-1360)	008979 (9004104-1360)	680892 (9004104-1440)	012187 (9004104-1490)
4	Seal kit	9510021	9510021	n/a	n/a
5	Front bearing kit	050658 (9510259)	9510264	9510267	050732 (9510270)
6	Swshplate, 18°	9240197	9250164	9260152	9270462
7	Cylinder block kit	9240641	634923	9260369	9270658
8	Piston kit, set of 3	9510408-0004	9510408-0005	9510408-0006	9510408-0009
8	Remanufactured	R9510408-0004	R9510408-0005	R9510408-0006	R9510408-0009
9	Slipper retainer	9240125	9250170	9260072	9270486
10	Slipper ret. guide	9240097	005090	046243	005587
11	Pilot ring	702381	634907	634915	634899
12	Bearing plate	9240560	585901	9260321	585927
13	Valve plate, cw	004895	651810	9260355	622324
13	Valve plate, ccw	004903	628933	9260356	651968
14	Rear bearing kit	050674 (9510261)	050690 (9510263)	055434 (9510266)	050724 (9510386)
15	End cap gasket	9240549	9250587	9260144	9270710
16	Chg pump gasket, gear	9801604	9801604	9801604	9801604
	gerotor with IPOR	9803241*	n/a	n/a	n/a
	gerotor without IPOR	9803252*	n/a	n/a	n/a
17	O-ring	000901 (9004100-1510)	000901 (9004100-1510)	000919 (9004100-1560)	000919 (9004100-1560)
18	O-ring	000893 (9004100-1500)	000893 (9004100-1500)	000992 (9004100-2430)	000992 (9004100-2430)
19	Thrust plate	011015 (9240124)	005181 (9250171)	049635 (9260073)	047639
20	Trunnion bearing kit	050682 (9510262)	050716 (9510265)	0555459 (9510268)	050740 (9510271)
21	O-ring	000968 (9004100-2340)	000976 (9004100-2360)	(9004100-2400)	001008 (9004100-2450)
22	Trunnion shim kit	9510422-0005	9510422-0006	9510422-0007	9510422-0008
23	Servo piston link	9240584	9250617	9260252	9270653
24	Retaining ring	9006300-0075	9006300-0075	9006300-0087	9006300-0087
25	Pin	9004830-0008	9004830-0008	9004830-0009	9004830-0009
26	Check valve assembly	075366 (9800648)	543553 (9802028)	543553 (9802028)	543553 (9802028)
	20 gpm	527887	n/a	n/a	n/a
27	O-ring	056770 (9004101-0150)	063230 (9004101-0270)	063230 (9004101-0270)	063230 (9004101-0270)
	20 gpm valve	012575 (9004105-1170)	n/a	n/a	n/a
28	Servo sleeve assembly	9510208	9510208	n/a	n/a
29	Servo sleeve assembly	9510351	9510351	9510331	9510331
30	Stroke limiter kit	9240326	9240326	9260185	9260185
31	Torx screw	9007276-0011	9007276-0011	9007276-0011	9007276-0011
32	Servo retainer	9240076	9240076	9270178	9270178
33	Control gasket	9803340	9803340	9803340	9803340
34	O-ring	001032 (9004101-0140)	001032 (9004101-0140)	001032 (9004101-0140)	001032 (9004101-0140)
35	Front cover gasket	9240070	9250158	9260145	9270175
36	Cylinder block	049171	073585	073619	071183
36	Remanufactured	R9240394	R9250470	R9260231	R9270495

\* Indicated special charge pump gaskets (item # 16) are not included in the overhaul seal kit.


**Drive shaft**

	<b>Part Number</b>	<b>Description</b>
<b>SPV2/033 (20 series)</b>	010827	14 tooth spline, gear charge pump
	707828	20 tooth spline, gear charge pump
	046557	21 tooth spline, M10 threaded hole, gear charge pump
	708073	Straight key, 3/8-24 UNF-2B threaded hole, gear charge pump
	9003261-3132	Key, 5/16 x 5/16 x 2 1/2
<b>SPV2/052 (21 series)</b>	080465	14 tooth spline, gear charge pump
	9210663	14 tooth spline, gerotor charge pump
	018812	21 tooth spline, gear charge pump
	9210673	21 tooth spline, gerotor charge pump
	9210428	Tapered, gear charge pump
	9003310-3724	Key
	5000606 (9700169)	Slotted nut
	9210538	Straight key, gear charge pump
	9003261-3132	Key, 5/16 x 5/16 x 2 1/2
<b>SPV2/070 (22 series)</b>	144402	14 tooth spline, gear charge pump
	9221447	14 tooth spline, gerotor charge pump
	079913 (9220515)	19 tooth spline, gear charge pump
	9220527	20 tooth spline, 3/8-24 UNF-2B threaded hole, gear charge pump
	9221475	20 tooth spline, 3/8-24 UNF-2B threaded hole, gerotor charge pump
	048504 (9220417)	21 tooth spline, gear charge pump
	9221441	21 tooth spline, gerotor charge pump
	046581 (9220884)	Tapered, gear charge pump
	9003310-3724	Key
	5000606 (9700169)	Slotted nut
	039644 (9221065)	Straight key, 3/8-24 UNF-2B threaded hole, gear charge pump
	9003261-3132	Key, 5/16 x 5/16 x 2 1/2
	<b>SPV2/089 (23 series)</b>	9230476
9230951		14 tooth spline, gerotor charge pump
014985 (9230325)		21 tooth spline, gear charge pump
9230968		21 tooth spline, gerotor charge pump
9230173		23 tooth spline, 3/8-24 UNF-2B threaded hole, gear charge pump
9231014		23 tooth spline, 3/8-24 UNF-2B threaded hole, gerotor charge pump
9230147		27 tooth spline, 3/8-24 UNF-2B threaded hole, gear charge pump
9230445		Tapered, 1.5" nominal shaft dia., gear charge pump
9003310-3724		Key
5000606 (9700169)		Slotted nut
9230989		Tapered, 1.375" nominal shaft dia., gerotor charge pump
9003310-3724		Key
5000606 (9700169)		Slotted nut
9230626		Straight key, 3/8-24 UNF-2B threaded hole, gear charge pump
9003261-3132		Key, 3/8 x 3/8 x 2 1/2




**Drive shaft**

	<b>Part Number</b>	<b>Description</b>
<b>SPV2/119 (24 series)</b>	079301	13 tooth spline, M14 x 2-6H tapped hole, gear charge pump
	9240685	13 tooth spline, gerotor charge pump
	046847	27 tooth spline, M14 x 2-6H tapped hole, gear charge pump
	9240231	Tapered, gear charge pump
	9003326-0005	Key
	9700189	Slotted nut
	9240713	Tapered, gerotor charge pump
	9003326-0005	Key
	9700189	Slotted nut
	039982	Straight key, 1/2-20 UNF-2B threaded hole, gear charge pump
	9003261-3732	Key, 3/8 x 3/8 x 2 1/2
<b>SPV2/166 (25 series)</b>	054940	13 tooth spline, gear charge pump
	047894	27 tooth spline with M14 x 2-6H tapped hole, gear charge pump
	9250409	Straight key, 1/2-20 UNF-2B threaded hole, gear charge pump
	9003261-3732	Key, 3/8 x 3/8 x 2 1/2
<b>SPV2/227 (26 series)</b>	9260140	13 tooth spline, gear charge pump
	045930	27 tooth spline, M14 x 2-6H tapped hole, gear charge pump
	9260176	Straight key, 1/2-20 UNF-2B threaded hole, gear charge pump
	9003261-5040	Key, 1/2 x 1/2 x 3 1/2
<b>SPV2/334 (27 series)</b>	077727	15 tooth spline, gear charge pump
	9270741	40 tooth spline, M16 tapped hole, gear charge pump
	561530	Straight key, 1/2-20 UNF-2B threaded hole, gear charge pump
	9003261-6244	Key, 5/8 x 5/8 x 4



Notes



Notes



**Products we offer:**

- Bent Axis Motors
- Closed Circuit Axial Piston Pumps and Motors
- Displays
- Electrohydraulic Power Steering
- Electrohydraulics
- Hydraulic Power Steering
- Integrated Systems
- Joysticks and Control Handles
- Microcontrollers and Software
- Open Circuit Axial Piston Pumps
- Orbital Motors
- PLUS+1® GUIDE
- Proportional Valves
- Sensors
- Steering
- Transit Mixer Drives

**Danfoss Power Solutions** is a global manufacturer and supplier of high-quality hydraulic and electronic components. We specialize in providing state-of-the-art technology and solutions that excel in the harsh operating conditions of the mobile off-highway market. Building on our extensive applications expertise, we work closely with our customers to ensure exceptional performance for a broad range of off-highway vehicles.

We help OEMs around the world speed up system development, reduce costs and bring vehicles to market faster.

Danfoss – Your Strongest Partner in Mobile Hydraulics.

**Go to [www.powersolutions.danfoss.com](http://www.powersolutions.danfoss.com) for further product information.**

Wherever off-highway vehicles are at work, so is Danfoss.

We offer expert worldwide support for our customers, ensuring the best possible solutions for outstanding performance. And with an extensive network of Global Service Partners, we also provide comprehensive global service for all of our components.

Please contact the Danfoss Power Solution representative nearest you.

**Comatrol**

[www.comatrol.com](http://www.comatrol.com)

**Schwarzmueller-Inverter**

[www.schwarzmueller-inverter.com](http://www.schwarzmueller-inverter.com)

**Turolla**

[www.turollaocg.com](http://www.turollaocg.com)

**Valmova**

[www.valmova.com](http://www.valmova.com)

**Hydro-Gear**

[www.hydro-gear.com](http://www.hydro-gear.com)

**Daikin-Sauer-Danfoss**

[www.daikin-sauer-danfoss.com](http://www.daikin-sauer-danfoss.com)

*Local address:*

**Danfoss Power Solutions US Company**

2800 East 13th Street  
Ames, IA 50010, USA  
Phone: +1 515 239 6000

**Danfoss Power Solutions GmbH & Co. OHG**

Krokamp 35  
D-24539 Neumünster, Germany  
Phone: +49 4321 871 0

**Danfoss Power Solutions ApS**

Nordborgvej 81  
DK-6430 Nordborg, Denmark  
Phone: +45 7488 2222

**Danfoss Power Solutions**

22F, Block C, Yishan Rd  
Shanghai 200233, China  
Phone: +86 21 3418 5200

Danfoss can accept no responsibility for possible errors in catalogues, brochures and other printed material. Danfoss reserves the right to alter its products without notice. This also applies to products already on order provided that such alterations can be made without subsequential changes being necessary in specifications already agreed. All trademarks in this material are property of the respective companies. Danfoss and the Danfoss logotype are trademarks of Danfoss A/S. All rights reserved.